

General Spare parts

Lithium 3xAA-Cell batteries

SPB03: Battery with retrofit battery clamp (XX)



SPB02



SPC02



SPC03: Battery with retrofit battery clamp (XI)



Ordering information

Batteries

SPB02	PB - Lithium battery 3xAA-cell - long life time. For safe area applications (F-Series & D-Series) or explosion proof applications (E-Series).
SPB03	PB - Lithium battery 3xAA-cel - long life time. For safe area applications (XX). With retrofit battery clamp for installed FO-Series.
SPB04	Single AA-cell Lithium battery, for the B-Series.
SPC02	PC - FW-LiBat-021 Lithium 3xAA-cell battery - long life time. Intrinsically Safe (F-Series).
SPC03	PC - FW-LiBat-021 Lithium 3xAA-cell battery - long life time. Intrinsically Safe (XI). With retrofit battery clamp for installed FO-Series.

Various spare parts

STC01	Set of terminal connectors Specify: product series, model, serial number and terminal coding.
SFU01	Set of fuses for the F-Series & D-Series (10 pcs.).
SFS01	Fluidwell logo stickers for front casing. Specify: product series (10 pcs.). Own branding labels on request.

Cable glands & Blind plugs

Cable glands



Technical specification

Polyamide Cable glands

Ambient Ta	-40°C to +100°C (-40°F to +212°F).
Cable diameter	M12: 3 - 6,5 mm (0.12 - 0.26") M16: 4 - 8 mm (0.16 - 0.31") M20: 6 - 12 mm (0.24 - 0.47") PG9: 4 - 8 mm (0.16 - 0.31") 1/2" NPT: 6 - 12 mm (0.24 - 0.47")

Brass nickel-plated Cable glands

Ambient Ta	-40°C to +100°C (-40°F to +212°F).
Cable diameter	M12: 2 - 5 mm (0.08 - 0.20") M16: 3 - 7 mm (0.12 - 0.28") M20: 7 - 12 mm (0.28 - 0.47") PG9: 4 - 8 mm (0.16 - 0.31") 1/2" NPT: 6 - 12 mm (0.24 - 0.47")

Ordering information

Polyamide Cable glands

AGP01	M12x1,5 incl. O-ring, locknut and dome plug.
AGP02	M16x1,5 incl. O-ring, locknut and dome plug.
AGP03	M20x1,5 incl. O-ring, locknut and dome plug.
AGP04	PG9 incl. O-ring, locknut and dome plug.
AGP05	1/2" NPT incl. O-ring, locknut and dome plug.

Brass nickel-plated Cable glands (EMC-compatible)

AGB01	M12x1,5 incl. O-ring and dome plug.
AGB02	M16x1,5 incl. O-ring and dome plug.
AGB03	M20x1,5incl. O-ring and dome plug.
AGB04	PG9 incl. O-ring and dome plug.
AGB05	1/2" NPT incl. O-ring and dome plug.

Blind plugs & Breather valve



Technical specification

Polyamide Blind plugs

Ambient Ta	-20°C to +80°C (-4°F to +176°F).
-------------------	----------------------------------

Brass nickel-plated Blind plugs

Ambient Ta	-40°C to +80°C (-40°F to +176°F).
-------------------	-----------------------------------

Breather valve

Ambient Ta	-40°C to +100°C (-40°F to +212°F).
-------------------	------------------------------------

Note: Not suitable for explosion proof applications.

Ordering information

Polyamide Blind plugs

ABP01	M12x1,5 incl. O-ring and locknut.
ABP02	M16x1,5 incl. O-ring and locknut.
ABP03	M20x1,5 incl. O-ring and locknut.
ABP04	PG9 incl. O-ring and locknut.

Brass nickel-plated Blind plugs

ABB08	M12x1,5 incl. O-ring.
ABB09	M16x1,5 incl. O-ring.
ABB10	M20x1,5incl. O-ring.
ABB11	PG9 incl. O-ring.
ABB12	1/2" NPT incl. O-ring.

Breather valve

ABV01	Protective vent / Breather valve M12x1,5 incl. O-ring and Brass nickel-plated M16x1,5 reducer incl. O-ring.
--------------	---

Usage: We advise to use metal glands / plugs for metal enclosures and polyamide glands / plugs for GRP enclosures.

B-Series Accessories

ACE02: Basic remote configuration cable



ACE06: Remote configuration cable B-Connected



SBB01: GRP B-Series back cover, IP65 (Type4)



SBF01: GRP B-Series front cover



SPB04: AA-cell Lithium battery, for the B-Series



Ordering information

Remote configuration accessories

ACE02	Remote configuration cable (1.8m/5.9ft), for B-Basic, B-Alert, B-Smart & B-in-Control..
ACE06	Remote configuration cable (1.8m/5.9ft), for B-Connected.

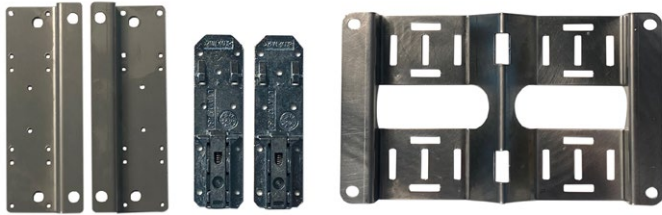
Ordering information

B-Series Accessories & spare parts

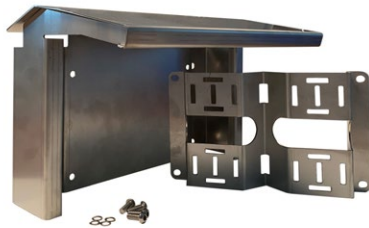
SBB01	GRP B-Series back cover, IP65 (Type4).
SBF01	GRP B-Series front cover with "select / clear" keypad, with Fluidwell brand.
SBF02	GRP B-Series front cover with "start / stop" keypad, with Fluidwell brand.
SBF03	GRP B-Series front cover with "select / clear" keypad, without branding.
SBF04	GRP B-Series front cover with "start / stop" keypad, without branding.
SPB04	Single AA-cell Lithium battery, for the B-Series.

C-Series Accessories

AMC01/02/03: Wall , Pipe or DIN rail mounting kit



AMC04/05: Sun shed (wall or pipe mounting)



Ordering information

C-Series Mounting accessories

AMC01	C-Series Stainless steel 304 wall mounting kit
AMC02	C-Series Stainless steel 304 pipe mounting kit (worm gear clamps not included).
AMC03	C-Series Stainless steel 304 DIN rail mounting kit.
AMC04	C-Series Stainless steel 304 protective sun & rain shed with wall mounting kit
AMC05	C-Series Stainless steel 304 protective sun & rain shed with pipe mounting kit (worm gear clamps not included).
ACF06	Two stainless steel worm gear clamps. D=44-56mm (1.73"-2.20")
ACF07	Two stainless steel worm gear clamps. D=58-75mm (2.29"-2.95")
ACF08	Two stainless steel worm gear clamps. D=77-95mm (3.04"-3.74")
ACF09	Two stainless steel worm gear clamps. D=106-138mm (4.18"-5.43")

Brass nickel-plated Glands & Plugs



Technical specification

Brass nickel-plated Cable glands

Ambiant Ta	-40°C to +100°C (-40°F to +212°F).
Cable diameter	M16: 3 - 7 mm (0.12 - 0.28") M20: 7 - 12 mm (0.28 - 0.47") 1/2" NPT: 6 - 12 mm (0.24 - 0.47")

Brass nickel-plated Blind plugs

Ambiant Ta	-40°C to +80°C (-40°F to +176°F).
-------------------	-----------------------------------

Breather valve

Ambiant Ta	-40°C to +100°C (-40°F to +212°F).
-------------------	------------------------------------

Note: Not suitable for explosion proof applications.

Ordering information

Brass nickel-plated Cable glands (EMC-compatible)

AGB02	M16x1,5 incl. O-ring and dome plug.
AGB03	M20x1,5incl. O-ring and dome plug.
AGB05	1/2" NPT incl. O-ring and dome plug.
AGB06	8 x M16x1,5 and 2 x M20x1,5 incl. O-rings and dome plugs.
AGB07	4 x 1/2" NPT incl. O-rings and dome plugs.

Brass nickel-plated Blind plugs

ABB09	M16x1,5 incl. O-ring.
ABB10	M20x1,5incl. O-ring.
ABB12	1/2" NPT incl. O-ring.

Breather valve

ABV01	Protective vent / Breather valve M12x1,5 incl. O-ring and Brass nickel-plated M16x1,5 reducer incl. O-ring.
--------------	---

D-Series Spare parts

SDF01/SDF02: Front cover



SPB02: Battery



Ordering information

D-Series Front covers

SDF01	Aluminum D-Series frontcover with "select / clear" keypad, including gasket.
SDF02	Aluminum D-Series frontcover with "start / stop" keypad, including gasket.

Ordering information

D-Series Spare parts

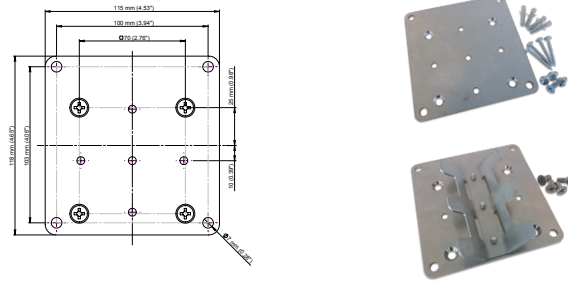
SDN01	D-Series mounting kit: 4 brackets, 8 screws and 1 gasket.
SFU01	Set of fuses for the F-Series & D-Series (10 pcs.)
SPB02	PB - Lithium battery 3xAA-cell - long life time.

E-Series Accessories

ACE01: USB data logging and configuration cable



ACE03/04: Stainless steel wall / pipe mounting kit



ACE02: Remote configuration cable for option CX



ACE05: Cable with Amphenol connector



Ordering information

General E-Series accessories

ACE01	Remote configuration and data log cable (2.0m/6.7ft) for option CU - Mini USB to USB.
ACE02	Remote configuration cable (1.8m/5.9ft), for option CX to USB.
ACE03	Stainless steel wall mounting kit (inc. screws+plugs).
ACE04	Stainless steel pipe mounting kit, (worm gear clamps not included, see ACF06 - ACF09).
ACE05	Shielded, two pins, 30cm (12") cable with Amphenol connector for turbine flowmeters.
ACE06	Remote configuration cable (1.8m/5.9ft), for option CH - RS485 Communication to USB.
ACE07	Remote configuration cable (1.8m/5.9ft), for option CB - RS232 Communication to USB.
ACE08	Internal E-Series USB cable for option CU and HAA, HAB.
ACE09	Internal E-Series USB cable for option CU and HSA, HSB.
ACE10	Internal E-Series USB cable for option CU and HAG.
ACE11	Internal E-Series USB cable for option CU and HSG.

ACE06/07: Remote configuration cable RS485/RS232



Ordering information

E-Series Spare parts

SES01	Basic Supply Module for the E-Series. With battery connector and flatcable to the Main Electronics Module, without battery (SPB02) or relays.
SES02	Relay Supply Module for the E-Series. With two relays, battery connector and flatcable to the main Electronics Module, without battery (SPB02)
SPB02	PB - Lithium battery 3xAA-cell - long life time.

E-Series Blind plugs

ABS01/05: Stainless steel blind plugs



ABB01/05: Brass nickel plated blind plugs



Technical specification

Certification

ATEX	I M2 Ex db I Mb / Ex eb I Mb. II 2G Ex db IIC Gb / Ex eb IIC Gb. II 1D Ex ta IIIC Da. II 3G Ex nR IIC Gc.
IECEX	Ex db I Mb / Ex eb I Mb. Ex db IIC Gb / Ex eb IIC Gb. Ex nR IIC Gc. Ex ta IIIC Da.
CSA	Class I, Division 1 Groups A, B, C and D; Class II, Division 1 Groups E, F and G. Class III, Type 4X and 6P. Class I Zone 1 AEx db IIC Gb. Class I Zone 1 AEx eb IIC Gb. Class II Zone 20 AEx ta IIIC Da. IP66/68.

Certificate no.

ATEX	CML 19ATEX1089X & CML 19ATEX4092X.
IECEX	IECEX CML 19.0022X.
CSA	2310046

General

IP rating	IP66 & 68 / Type4X 6P.
<i>Ambient Ta</i>	-40°C to +70°C (-40°F to +158°F).

Ordering information

Brass nickel plated blind plugs

ABB01	Blind plug M20 Brass Nickel Plated.
ABB02	Blind plug M25 Brass Nickel Plated.
ABB03	Blind plug 1/2" NPT Brass Nickel Plated.
ABB04	Blind plug 3/4" NPT Brass Nickel Plated.
ABB05	Blind plug 1" NPT Brass Nickel Plated.
ABB06	Blind plug + reducer M25 Brass Nickel Plated for option CU - USB communication.
ABB07	Blind plug + reducer 3/4" NPT Brass Nickel Plated for option CU - USB communication.

Stainless steel blind plugs

ABS01	Blind plug M20 Stainless Steel.
ABS02	Blind plug M25 Stainless Steel.
ABS03	Blind plug 1/2" NPT Stainless Steel.
ABS04	Blind plug 3/4" NPT Stainless Steel.
ABS05	Blind plug 1" NPT Stainless Steel.
ABS06	Blind plug + reducer M25 Stainless Steel for option CU - USB communication.
ABS07	Blind plug + reducer 3/4" NPT Stainless Steel for option CU - USB communication.

E-Series Reducers

ARS01/04: Stainless steel reducer



ARB01/04: Brass nickel plated reducer



Technical specification

Certification

ATEX	I M2 Ex db I Mb / Ex eb I Mb. II 2G Ex db IIC Gb / Ex eb IIC Gb. II 1D Ex ta IIIC Da. II 3G Ex nR IIC Gc.
IECEX	Ex db I Mb / Ex eb I Mb. Ex db IIC Gb / Ex eb IIC Gb. Ex nR IIC Gc. Ex ta IIIC Da.
CSA	Class I, Division 1 Groups A, B, C and D; Class II, Division 1 Groups E, F and G. Class III, Type 4X and 6P. Class I Zone 1 AEx db IIC Gb. Class I Zone 1 AEx eb IIC Gb. Class II Zone 20 AEx ta IIIC Da. IP66/68.

Certificate no.

ATEX	CML 19ATEX1090X & CML 19ATEX4092X.
IECEX	IECEX CML 19.0022X.
CSA	2310046

General

IP rating	IP66 & 68 / Type4X 6P.
<i>Ambient Ta</i>	-40°C to +70°C (-40°F to +158°F).

Ordering information

Brass nickel plated reducers

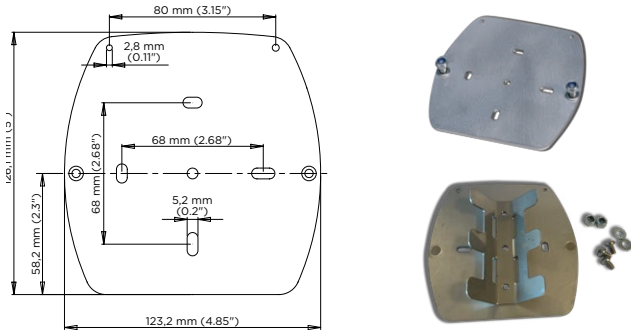
ARB01	Reducer 1" NPT to 3/4" NPT Brass Nickel Plated.
ARB02	Reducer 1" NPT to 1/2" NPT Brass Nickel Plated.
ARB03	Reducer 3/4" NPT to 1/2" NPT Brass Nickel Plated.
ARB04	Reducer M25 to M20 Brass Nickel Plated.
ARB05	Reducer 3/4" NPT to M20 Brass Nickel Plated.
ARB06	Reducer M25 to 1" NPT Brass Nickel Plated.

Stainless steel reducers

ARS01	Reducer 1" NPT to 3/4" NPT Stainless Steel.
ARS02	Reducer 1" NPT to 1/2" NPT Stainless Steel.
ARS03	Reducer 3/4" NPT to 1/2" NPT Stainless Steel.
ARS04	Reducer M25 to M20 Stainless Steel.
ARS05	Reducer 3/4" NPT to M20 Stainless Steel.
ARS06	Reducer M25 to 1" NPT Stainless Steel.

F-Series Accessories

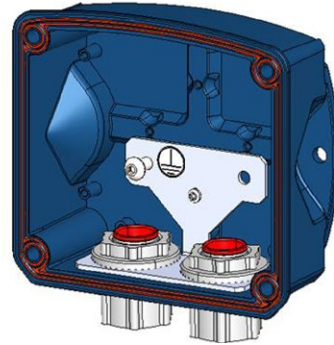
ACF02/ACF05: Mounting accessories



ACF11: Swivel for direct flowmeter mounting



ACF12: Earthing plate for HGL/HGT enclosure



Intrinsically safe isolators



Ordering information

F-Series Mounting accessories

ACF02	Stainless steel wall mounting kit. (incl. screws and plugs)
ACF05	Stainless steel pipe mounting kit. (worm gear clamps NOT included)
ACF06	Two stainless steel worm gear clamps. D=44-56mm (1.73"-2.20")
ACF07	Two stainless steel worm gear clamps. D=58-75mm (2.29"-2.95")
ACF08	Two stainless steel worm gear clamps. D=77-95mm (3.04"-3.74")
ACF09	Two stainless steel worm gear clamps. D=106-138mm (4.18"-5.43")
ACF11	Swivel with 25° movement from center axis for direct flowmeter mounting: 1" NPT to 1/2" NPT
ACF12	Stainless steel plate for conduit hub earthing in plastic HGL/HGT enclosure, without conduit hub.

Ordering information

Intrinsically safe isolators

ACG01	MTL5511 - I.S. one channel switch output > mechanic relay.
ACG02	MTL5525 - I.S. power supply
ACG03	MTL5541 - I.S. 4-20mA repeater to safe area.
ACG04	MTL5051- I.S. serial comm. isolator for TTL > RS422/232
ACG05	MTL5516C - I.S. two channel switch output > mechanic relay.
ACG06	MTL5513 - I.S. two channel switch output > floating solid state.
ACG07	MTLS5546 - 4-20mA isolator from safe to hazardous area.
ACG08	MTL5541AS - I.S. 4-20mA repeater for HART communication to safe area, with current sink for safe area connection.
ACG09	MTL7787+ - I.S. digital (on/off) zener diode barrier.

F-Series Enclosures

Back cover F Series



Front covers F-Series



Ordering information

F-Series Front covers

SFF01	Aluminum F-Series front cover with "select / clear" keypad, including gasket.
SFF02	Aluminum F-Series front cover with "start / stop" keypad, including gasket.
SFF03	Aluminum F-Series front cover with "arrows" keypad, including gasket.
SFF04	GRP F-Series front cover with "select / clear" keypad, including gasket.
SFF05	GRP F-Series front cover with "start / stop" keypad, including gasket.
SFF06	GRP F-Series front cover with "arrows" keypad, including gasket.
SFF07	Stainless steel 316L F-Series frontcover with "select / clear" keypad, including gasket.
SFF08	Stainless steel 316L F-Series frontcover with "start / stop" keypad, including gasket.
SFF09	Stainless steel 316L F-Series frontcover with "arrows" keypad, including gasket.

Ordering information

F-Series Back cover

SFB01	Aluminum field enclosure HA - IP67 / Type4X Drilling: 2 x PG9 + 1 x M20.
SFB02	Aluminum field enclosure HM - IP67 / Type4X Drilling: 2 x M16 + 1 X M20.
SFB03	Aluminum field enclosure HN - IP67 / Type4X Drilling: 1 x M20.
SFB04	Aluminum field enclosure HO - IP67 / Type4X Drilling: 2 x M20.
SFB05	Aluminum field enclosure HP - IP67 / Type4X Drilling: 6 x M12
SFB06	Aluminum field enclosure HT - IP67 / Type4X Drilling: 1 x 1/2" NPT.
SFB07	Aluminum field enclosure HU - IP67 / Type4X Drilling: 3 x 1/2" NPT
SFB08	Aluminum field enclosure HV - IP67 / Type4X Drilling: 4 X M20.
SFB09	Aluminum field enclosure HZ - IP67 / Type4X No holes
SFB10	GRP field enclosure HD - IP67 / Type4X No holes.
SFB11	GRP field enclosure HE - IP67 / Type4X Drilling: 2 x 16mm (0,63") + 1 x 20mm (0,79").
SFB12	GRP field enclosure HDA - IP67 / Type4X Drilling: 1 x 22mm (0,87").
SFB13	GRP field enclosure HD - IP67 / Type4X Drilling: 2 x 20mm (0,79").
SFB14	GRP field enclosure HD - IP67 / Type4X Drilling: 6 x 12mm (0,47").
SFB15	GRP field enclosure HD - IP67 / Type4X Drilling: 3 x 22mm (0,87").
SFB16	GRP FLAT BACK field enclosure HK - IP67 / Type4X No holes.
SFB17	Aluminum field enclosure HL - IP67 / Type4X Drilling: 2 x 1/2" NPT.
SFB18	Extended Aluminum field enclosure HBM - IP67 / NEMA 4X - Drilling: 2 x M16 + 1 x M20.
SFB19	Extended Aluminum field enclosure HBO - IP67 / NEMA 4X - Drilling: 2 x M20.
SFB20	Extended Aluminum field enclosure HBU - IP67 / NEMA 4X - Drilling: 3 x 1/2" NPT.
SFB21	Stainless steel 316L field enclosure HSM - IP67 / NEMA 4X - Drilling: 2 x M16 + 1 x M20.
SFB22	Stainless steel 316L field enclosure HSO - IP67 / NEMA 4X - Drilling: 2 x M20.
SFB23	Stainless steel 316L field enclosure HSU - IP67 / NEMA 4X - Drilling: 3 x 1/2" NPT.

F-Series Polyamide cable gland & blind plug kits

Cable glands



Ambiant Ta -40°C to +100°C (-40°F to +212°F).

Ordering information

F-Series Cable glands kits

ACF20	Polyamide cable glands for HA: 2 x PG9, 1 x M20 incl. O-rings.
ACF25	Polyamide cable glands for HE: 2 x M16, 1 x M20 incl. locknut and O-rings.
ACF26	Polyamide cable glands for HF: 1 x M20 incl. locknut and O-ring.
ACF27	Polyamide cable glands for HG: 2 x M20 incl. locknuts and O-rings.
ACF28	Polyamide cable glands for HH: 6 x M12 incl. locknuts and O-rings.
ACF29	Polyamide cable glands for HJ: 3x M20 incl. locknuts and O-rings..
ACF31	Polyamide cable glands for HL: 2 x 1/2" NPT incl. O-rings.
ACF32	Polyamide cable glands for HM/HBM/HSM: 2 x M16, 1 x M20 incl. O-ring.
ACF33	Polyamide cable glands for HN: 1 x M20 incl. O-ring.
ACF34	Polyamide cable glands for HO/HBO/HSO: 2 x M20 incl. O-rings.
ACF35	Polyamide cable glands for HP: 6 x M12 incl. O-rings.
ACF39	Polyamide cable glands for HT: 1 x 1/2" NPT incl. O-Ring.
ACF40	Polyamide cable glands for HU/HBU/HSU: 3 . x 1/2" NPT incl. O-Rings.
ACF41	Polyamide cable glands for HV: 4 x M20 incl. O-rings.

Cable diameter	M12: 3 - 6,5 mm (0.12 - 0.26")
	M16: 4 - 8 mm (0.16 - 0.31")
	M20: 6 - 12 mm (0.24 - 0.47")
	PG9: 4 - 8 mm (0.16 - 0.31")
	1/2" NPT: 6 - 12 mm (0.24 - 0.47")

Blind plugs



Ambiant Ta -20°C to +80°C (-4°F to +176°F).

Ordering information

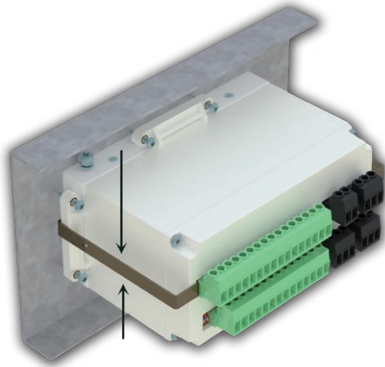
F-Series Blind plugs kits

ACF50	Polyamide blind plugs for HA: 2 x PG9, 1 x M20 incl. O-rings.
ACF55	Polyamide blind plugs for HE: 2 x M16, 1 x M20 incl. locknut and O-rings.
ACF56	Polyamide blind plugs for HF: 1 x M20 incl. locknut and O-ring.
ACF57	Polyamide blind plugs for HG: 2 x M20 incl. locknuts and O-rings.
ACF58	Polyamide blind plugs for HH: 6 x M12 incl. locknuts and O-rings.
ACF59	Polyamide blind plugs for HJ: 3x M20 incl. locknuts and O-rings..
ACF61	Polyamide blind plugs for HL: 2 x 1/2" NPT incl. O-rings.
ACF62	Polyamide blind plugs for HM/HBM/HSM: 2 x M16, 1 x M20 incl. O-ring.
ACF63	Polyamide blind plugs for HN: 1 x M20 incl. O-ring.
ACF64	Polyamide blind plugs for HO/HBO/HSO: 2 x M20 incl. O-rings.
ACF65	Polyamide blind plugs for HP: 6 x M12 incl. O-rings.
ACF69	Polyamide blind plugs for HT: 1 x 1/2" NPT incl. O-Ring.
ACF70	Polyamide blind plugs for HU/HBU/HSU: 3 . x 1/2" NPT incl. O-Rings.
ACF71	Polyamide blind plugs for HV: 4 x M20 incl. O-rings.

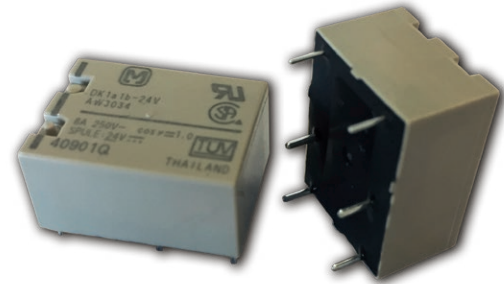
Usage: We advise to use metal glands / plugs for metal enclosures and polyamide glands/plugs for GRP enclosures.

N-Series Accessories

ACN01: Shock proof mounting brackets



SRN01: Spare part - field replaceable relays (2pcs)



SNF01: Spare part - Aluminum N-Series front cover



Ordering information

N-Series Accessories & spare parts

ACN01	Shock proof stainless steel mounting brackets (2pcs).
SDN01	N-Series mounting kit: 4 brackets, 8 screws and 1 gasket.
SRN01	Spare part: Set of field replaceable, mechanical make-and-break (NO-NC) relays (2pcs). Max. switching capacity (resistive load): 8A@250VAC/30VDC Max. switching power (resistive load): 2000VA 240W
SNF01	Spare part: Aluminum N-Series front cover with numerical keypad, incl. gasket.

Printer accessories

ACP01: Thermal, handheld printer



- User-friendly portable printer with single-handed paper-load system.
- High speed and high quality printing mechanism with superb text quality.
- Suitable for the F132, N413 and N414 batch controllers.

Specifications

Data Input	RS-232 Serial
Data Buffer	20 KB
Baud Rate	Up to 57,600 (9600 Default)
Print Method	Fixed head thermal mechanism
Print Width	48 mm
Dot spacing	8 dots/mm (vertical and horizontal)
Dots per line	384
Font (dots)	7 x 24 / 10 x 24
Paper rol length	16 m
Dimensions	47 x 92 x 108 mm (H x W x L)
Weight	330 gr (including battery and full roll of paper)
Temperature	Ambient 0 - 50°C (32 - 122°F)

Ordering information

ACP01	Ap 1300 - Thermal portable printer (incl. cables and battery charger).
--------------	--

ACP02 / ACP03: Thermal panel mount printer



- Robust design which is suitable for both vertical and horizontal panel mounting.
- Increased usability with expanded reporting for 'head up' and 'paper out' errors.
- Suitable for the F132, N413 and N414 batch controllers.

Specifications

Data Input	RS-232 Serial
Data Buffer	10 KB
Baud Rate	Up to 115,200 Baud (9600 Default)
Print Method	Fixed head thermal mechanism
Print Width	48 mm
Dot spacing	8 dots/mm (vertical and horizontal)
Dots per line	384
Font (dots)	8 x 16 / 7 x 24 / 10 x 24
Paper rol length	12 m
Dimensions	80 x 83 x 52mm (H x W x D)
Panel cut-out	75 x 75 mm (W x D)
Weight	110 gr (without paper)
Temperature	Ambient 0 - 50°C (32 - 122°F)

Ordering information

ACP02	Ap 1400 - Thermal panel printer with standard 9V DC to 36V DC power supply (incl. cables).
ACP03	Ap 1400 - Thermal panel printer with external 100 - 240V AC power supply (incl. cables).