

Assembly Instructions

ACE04

Stainless Steel Pipe Mounting Assembly

The ACE04 pipe mounting assembly enables an E-series Explosion proof display to be pipe mounted, horizontally or vertically.

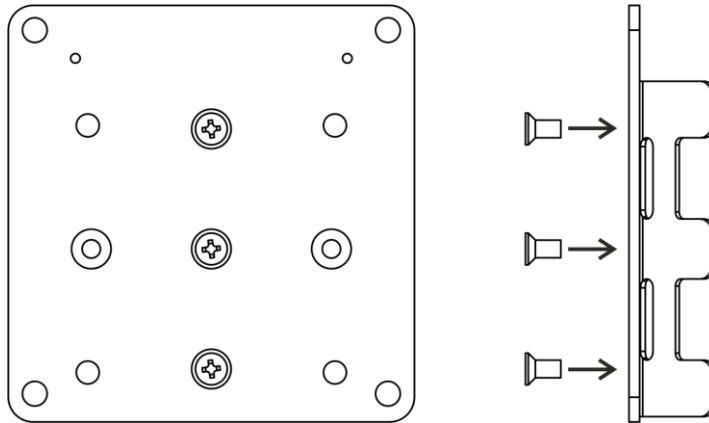
Worm gear clamps are not included in ACE04 and can be ordered separately with the required diameter (ACF06 to ACF09). Alternative metal mounting straps can be used as well for a rugged construction.

The ACE04 consists of the following components:

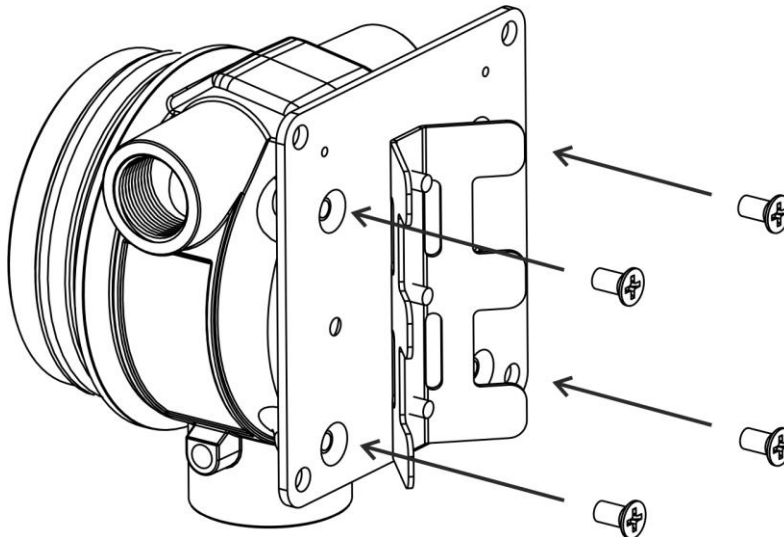
Quantity	Description
1	stainless steel mounting plate
4	stainless steel bolts M6x12mm
1	stainless steel pipe mounting bracket
3	stainless steel bolt M5x8

Assembly procedure

1. Mount the pipe clip onto the mounting plate with the three bolts (max. force 6Nm).



2. Fix the enclosure with the M6 bolts to the plate. Maximum force 6Nm.



3. Place the mounting set with worm gear clamps on the post.

